

ZEN-2090 pro™

Masterpiece of Digital Imaging

- 1K x 1K high resolution CCD camera
- IPM (Image Processing Module)
- Dual B/W specialized 19" diagnosis monitor



It provides high resolution digital images!
The perfect assistant for your office!



Only with the finest C-Arm **ZEN-2090 pro™**
Quality and Value all in one system

■ **Dare to compare!**

1K x 1K high resolution CCD camera

The ZEN series will bring you sharp and keen medical images with the ability to store still and motion images in HIPAA approved format.

* IPM (Image Processing Module)

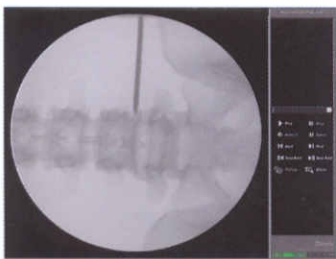
■ **Finally, a Premium C-Arm with Value**

Unrivalled value

- See tissues with ultra-sharp imaging
- Proven technology from x-ray system manufacture

ZENIS Software

- User friendly interface
- Easy to use database management
- DICOM 3.0 Viewer



Real time display and save



Sharp contrast



Zoom In/Out



Annotation

■ **Technical Specifications & Dimensions**

ZEN-2090 pro™

FUNCTION

Orbital Movement	120°
N/A	± 12.5°
Vertical movement	40cm
Horizontal movement	20cm
Depth	64cm
Free Space	75cm
Source to Image Distance (in Function)	95cm
Pivot Rotation	± 180°

GENERATOR

Inverter Frequency	40 kHz
Power	2.2 kW
kV range on Fluoroscopy	40-110kV
mA range on Fluoroscopy	0.2-6.0mA
kV range on Radiography	40-110kV
Max value of Radiography current	20 mA
mAs	0.4-100mAs

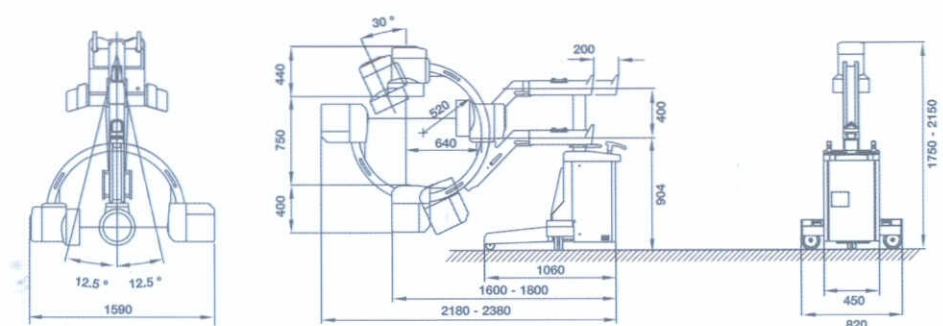
TUBE & MONITOR

Anode Heat Capacity (HU)	50,000
Small Focus	0.5 mm
Large Focus	1.5 mm
Anode Type	Stationary
Collimator	Motorized
Image Intensifier	9"
Monitor	Dual 19" monitors (1280x1024 pixel, 800cd)
Camera Type	CCD camera (1004X1004)

DIGITAL MEMORY, IMAGE PROCESSING

Image capacity	100,000
Last Image Hold (Digital Memory)	Yes
Image changing between monitors	Yes
Edge enhancement	Yes
Digital record mode	Yes
Zoom and roam	Yes
Negative-positive image	Yes
Cine Loop	Yes

* The specifications above can be changed to improve performance.



* All measurements of diagram in mm.



Digital X-ray system maker, **GENORAY Co., Ltd**
#512 Byucksan Technopia 434-6, Sangdaewon1-Dong, Jungwon-Gu, Seongnam-City, Gyeonggi-Do, 462-716 KOREA
TEL : +82-31-737-8020 FAX : +82-31-737-8025 E-mail : genoray@genoray.com <http://www.genoray.com>